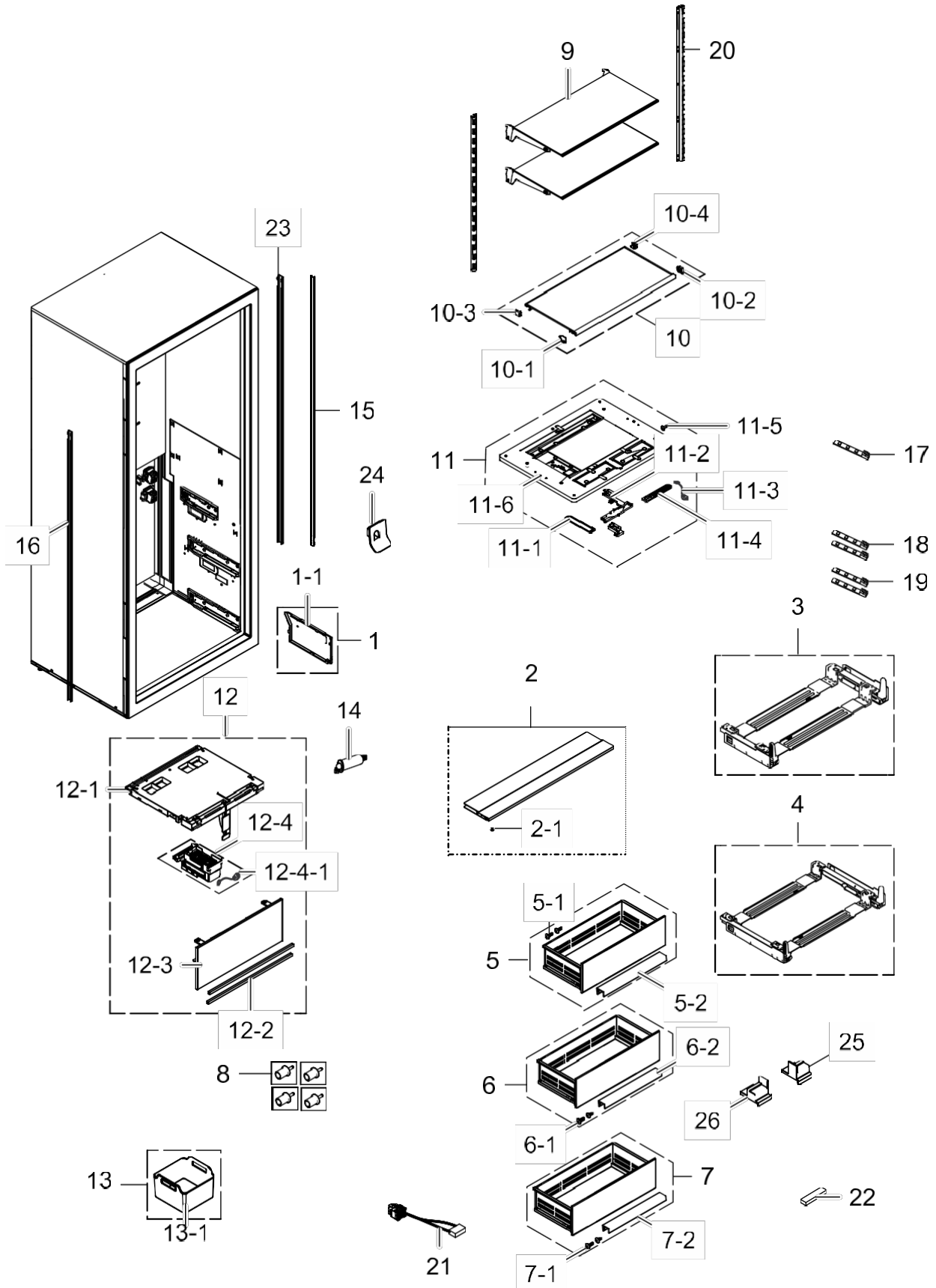


## **1. Freeze**

### **Exploded View**



## Freezer Parts List

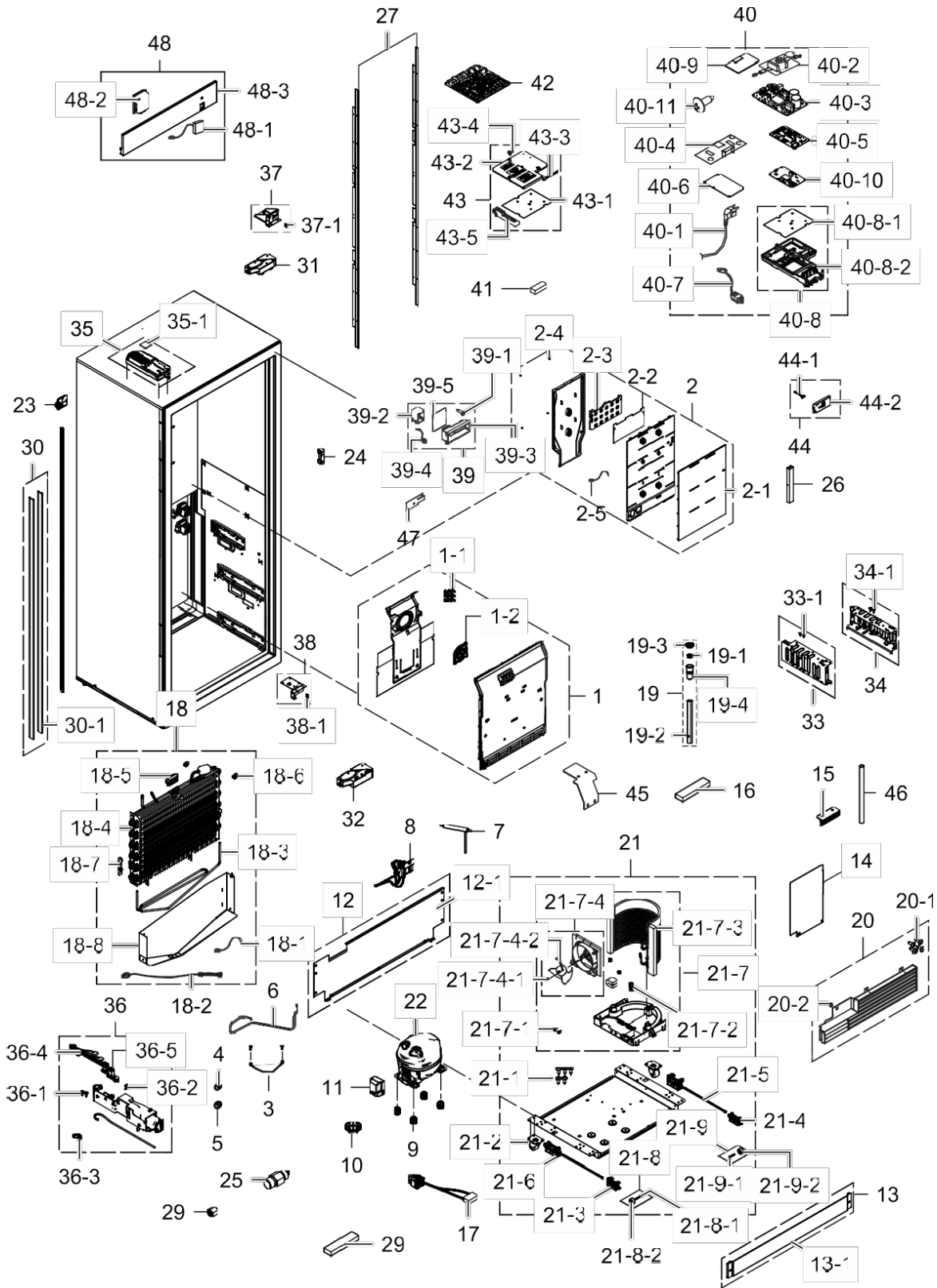
No.	Dacor Part #	Description	SNA
1	111649	ASSY COVER HOUSING; BRR9000M,ABS,T2.5	SA
1-1		COVER HOUSING-A; BRR9000M,ABS,T2.5,INOX G	SNA
2	111672	ASSY SHELF TRIM; BRR9000 18",Freezer	SA
2-1	110649	SCREW-TAPPING; TH,+,NO,1,M4,L8,ZPC(WHT),S	SA
3	111661	ASSY RAIL-UP; BRZ18	SA
4	111662	ASSY RAIL-LOW; BRZ18	SA
5	111589	ASSY CASE BASKET-UP; BRR9000M_18F	SA
5-1	110655	SCREW-TAPPING; TH,+,NO,1,M4,L14,PASS,STS3	SA
5-2		TRIM; BRR9000M_18R,Al,TRAY	SNA
6	111593	ASSY CASE BASKET-MIDDLE; BRR9000M_18F	SA
6-1	110655	SCREW-TAPPING; TH,+,NO,1,M4,L14,PASS,STS3	SA
6-2		TRIM; BRR9000M_18R,Al,TRAY	SNA
7	111597	ASSY CASE BASKET-LOW; BRR9000M_18F	SA
7-1	110655	SCREW-TAPPING; TH,+,NO,1,M4,L14,PASS,STS3	SA
7-2		TRIM; BRR9000M_18R,Al,TRAY	SNA
8	111629	ASSY FIXER; BRR9000M 30"	SA
9	111542	ASSY SHELF-REF; BRR9000 18"	SA
10	111546	ASSY SHELF COVER VEG; BRR9000 18"	SA
10-1	111140	SHELF-A; BRR9000M_30R,PP,CAP FRONT LEFT	SA
10-2	111141	SHELF-A; BRR9000M_30R,PP,CAP FRONT RIGHT	SA
10-3	111142	SHELF-A; BRR9000M_30R,PP,CAP REAR LEFT	SA
10-4	111143	SHELF-A; BRR9000M_30R,PP,CAP REAR RIGHT	SA
11	111552	ASSY SHELF-REFLOW; BRR9000 18",DISPLAY	SA
11-1	111059	GROMMET; BRR9000M,RUBBER	SA
11-2	111026	COVER DISPLAY; BRR9000M_30R,ABS+PC,CREAMY	SA
11-3	111221	ASSY WIRE HARNESS-DISPENSER; 1-DOOR,FREE	SA
11-4	111642	ASSY PBA DISPLAY; BRR9000,ASSY DISPLAY, 1	SA
11-5	110647	SCREW-TAPPING; TH,+,1,M4,L12,ZPC(WHT),SWR	SA

## Freezer Parts List

No.	Dacor Part #	Description	SNA
11-6	111561	ASSY SHELF-REF SUB; BRR9000 18"	SA
12		ASSY CASE ICE-ROOM; BRR9000M,18F,ROOM	SNA
12-1	110854	CASE ICE ROOM-IN; BRR9000M,HIPS,INOX GRAY	SA
12-2		REINF COVER; BRR9000M,PO-SPHC,T2.0,18F,BI	SNA
12-3	111397	ASSY COVER ICE MAKER; BRR9000M,18F	SA
12-4	111472	ASSY ICE MAKER; BRR9000,BI-311, 120V, 8CU	SA
12-4-1	111237	ASSY WIRE HARNESS-ICE; ALL,FREE VOLT,UL+I	SA
13	111511	ASSY CASE ICE; BRR9000M,18F,CUBE	SA
13-1		CASE ICE-CUBE; BRR9000M,PETG,NATURAL,18F	SNA
14	111567	ASSY PIPE WATER ICE; DA97-17848A,built in	SA
15	111061	COVER LAMP-SIDE; BRR9000M,HIPS,T2.0,WHITE	SA
16	111069	COVER LAMP-SIDE; BRR9000M,HIPS,T2.0,INNER	SA
17	111261	ASSY LAMP LED; 21,FR-4,370*16,WHITE,DEM1-	SA
18	111268	ASSY LAMP LED; 18,CEM-1,592*16,WHITE,SMAW	SA
19	111269	ASSY LAMP LED; 18,CEM-1,592*16,WHITE,SMAW	SA
20		ANGLE SHELF-REF SIDE RIGHT; GI-SGCC,T3.0,	SNA
21	111235	ASSY WIRE HARNESS-LED; ALL,12VDC,UL+IEC,N	SA
22	110923	SEAL CUTT-RUBBER; RR2500K,RUBBER,BLACK,T5	SA
23	111066	COVER LAMP-SIDE; BRR9000M,HIPS,T2.0,INNER	SA
24	110908	GUIDE ICE-FRE UP; BRR9000M,HIPS,S834S1,IN	SA
25	111153	RUBBER BUMPER; BRR9000M,SI,GRAY	SA
26	111154	RUBBER BUMPER; BRR9000M,SI,GRAY,R	SA

## 2. Cabinet

### Exploded View



## Cabinet Parts List

No.	Dacor Part #	Description	SNA
1	111481	ASSY COVER EVAP-FRE; BRR9000M,COLUMN, 18"	SA
1-1	110655	SCREW-TAPPING; TH,+,NO,1,M4,L14,PASS,STS3	SA
1-2	110693	MOTOR BLDC FAN; 12035GE-12M-YT,1775 7%,1	SA
2	111487	ASSY COVER MULTI-FRE; BRR9000M,COLUMN, 18	SA
2-1		ASSY PLATE COOLING; BRR9000M,COLUMN, 18",	SNA
2-2	111164	SEAL COVER MULTI-FRE FRONT; BRR9000M,PE F	SA
2-3		ASSY DUCT-ICE PACK; BRR9000M,COLUMN, 18",	SNA
2-4	110654	SCREW-TAPPING; TH,+,-,1,M4,L12,PASS,STS30	SA
2-5	110706	SENSOR TEMP; SC41198-021A,1000mm,13.2kohm	SA
3	110722	ASSY WIRE HARNESS-EARTH; ALL,FREE VOLT,UL	SA
4	110746	FITTING-LOKRING 33; SUM23,33	SA
5	110747	FITTING LOKRING; SUM23,St 56	SA
6	110944	PIPE CONNECT-SUCTION; BRR9000M(18inch),Cu	SA
7	110940	DRYER; C1220T-H,114,SINGLE MOUTH,R-600a O	SA
8	110943	VALVE STEP; DC12V,MODULE,RIGHT/RIGHT bend	SA
9	110979	GROMMET COMP; USP05,EPDM,OD27.0,BLACK	SA
10	110990	COVER-URETHANE; AW-PJT,ABS,BLACK,5VA	SA
11	111001	COVER RELAY; MSV,MPPO,T2.0,BLACK,V-0	SA
12	111679	ASSY COVER COMP-REAR; BRR9000M,18" Column	SA
12-1		COVER COMP-REAR; BRR9000M,GI-SGCC,T0.8,18	SNA
13	111655	ASSY COVER COMP-LOW; BRR9000M,18"	SA
13-1		COVER COMP-LOW; BRR9000M,GI-SGCC,T1.2,18i	SNA
14	110905	BRACKET PLATE-PARTITION; BRR9000M,GI-SGCC	SA
15	111149	PARTITION-UP; BRR9000M,HIPS,T1.2	SA
16	111162	SEAL CUTT-RUBBER; W2-05,BUTYL RUBBER,BLAC	SA

## Cabinet Parts List

No.	Dacor Part #	Description	SNA
17	111246	ASSY WIRE HARNESS-COMP; ALL,FREE VOLT,UL+	SA
18	111252	ASSY EVAP-FRE; BRR9000M(18inch),FIN TUBE,	SA
18-1	110705	SENSOR TEMP; SC41199-021A, PVC TUBE 250mm	SA
18-2	110736	THERMO FUSE-ASSY; AC250V,10A,109~110S	SA
18-3	110738	HEATER METAL SHEATH; AC120V,BRR9000M 18in	SA
18-4		EVAPORATOR-FRE; Fin Tube,BRR9000M(18inch)	SNA
18-5	110795	FIXER-SENSER; AW-PJT,PP,NATURAL,V-0	SA
18-6	110818	FIXER WIRE; AW3-PJT,PP,T2.0,NATURAL,HB,BJ	SA
18-7	110822	FIXER-HEATER WIRE REF; HM/GGH/HAEMIL,PP,N	SA
18-8		PLATE DRAIN-FRE; BRR9000M(18inch Column),	SNA
19	111338	ASSY CAP-DRAIN; AW3	SA
19-1	110811	FIXER-DRAIN; HAEMIL,PP,T0.6,CARMEN WINE,B	SA
19-2	110928	TUBE PVC; AW3,SF-PVC,BLACK	SA
19-3	110982	GROMMET-DRAIN; RS18RK,NBR,-,-,-,-,BLK,-	SA
19-4	111128	CAP-DRAIN; AW4,HIPS,HB,S834S1,NATURAL	SA
20	111462	ASSY CHASSIS AIR GRILLE; BRR9000M,18" RIG	SA
20-1	110649	SCREW-TAPPING; TH,+,NO,1,M4,L8,ZPC(WHT),S	SA
20-2	111121	LATCH; LATOUR,POM,BLACK,DC LATCH	SA
21	111524	ASSY CHASSIS COMP; BRR9000M(18inch)	SA
21-1	110647	SCREW-TAPPING; TH,+,1,M4,L12,ZPC(WHT),SWR	SA
21-2	110910	CASTER; BRR9000M,MSWR,OD40, BLACK	SA
21-3	111390	ASSY LEG-FRONT; BRR9000M	SA
21-4	111391	ASSY LEG-FRONT; BRR9000M,RIGHT	SA
21-5	111392	ASSY LEG-REAR; BRR9000M	SA
21-6	111393	ASSY LEG-REAR; BRR9000M,RIGHT	SA
21-7	111523	ASSY TRAY DRAIN WATER; BRR9000M(18inch)	SA
21-7-1	110647	SCREW-TAPPING; TH,+,1,M4,L12,ZPC(WHT),SWR	SA
21-7-2	111006	GROMMET-IMMERSION PIPE B; ROMANEE CONTLN	SA
21-7-3		ASSY CONDENSER-MAIN; BRB6000M,PFC-C(L250)	SNA

## Cabinet Parts List

No.	Dacor Part #	Description	SNA
21-7-4	111408	ASSY SUPPORT-CIRCUIT MOTOR; BRR9000M(18")	SA
21-7-4	110913	SPRING ETC-FAN; STS304,PI8.8,ID7.8,OD9.8,	SA
21-7-4	110695	MOTOR BLDC FAN; ARCS2088RB,1230,12V,1.15W	SA
21-8	111533	ASSY CASTER; BRR9000M,GI-SGCC,T3.0,LEFT	SA
21-8-1	110757	PIN-CASTER; SR-289-429,MSWR,L38,ZPC2	SA
21-8-2	110821	CASTER-REAR; GRAND-CRU,PP,NATURAL	SA
21-9	111534	ASSY CASTER-FRONT; BRR9000M,GI-SGCC,T3.0,	SA
21-9-1	110757	PIN-CASTER; SR-289-429,MSWR,L38,ZPC2	SA
21-9-2	110821	CASTER-REAR; GRAND-CRU,PP,NATURAL	SA
22	111692	COMP,REFRIGERATOR,R-600A; (Must order with Ref #9 QTY4)	SA
Not Shown	112872	Vulkan lok ring fittings (includes drier)	SA
23	111640	ASSY COVER FIXER WATER; BRR9000M,18inch,C	SA
24	110886	FIXER PIPE; BRR9000M,EPDM,BLACK	SA
25	110918	VALVE-FITTING PU; BEST-BUY,(C3604BD-F)+BN	SA
26	111058	COVER WIRE; BRR9000,ABS,HB,COOL WHITE,HG-	SA
27	111091	CHASSIS CABI; BRR9000M,GI-SGCC,T0.8,-,-	SA
29	111170	VALVE-FITTING NUT; A-TOP,CU,12,C3604 BD-F	SA
30	111656	ASSY TRIM KIT; BRR9000M	SA
30-1	111093	TRIM COVER; BRR9000M,Al,BI-327	SA
31	111379	ASSY HINGE-UP; BUILT-IN,K05-X	SA
32	111380	ASSY HINGE-LOW; BUILT-IN,K05-X	SA
33	111385	ASSY CABI FRAME-SIDE LEFT; BRR9000M,GI-SG	SA
33-1	110647	SCREW-TAPPING; TH,+,1,M4,L12,ZPC(WHT),SWR	SA
34	111389	ASSY CABI FRAME-SIDE RIGHT; BRR9000M,GI-S	SA
34-1	110647	SCREW-TAPPING; TH,+,1,M4,L12,ZPC(WHT),SWR	SA
35	111420	ASSY EASY OPEN; 12V	SA
35-1	110633	IC-MICROCONTROLLER; R5F100FCAFP,LQFP,44P,	SA
36	111651	ASSY CASE WATER FILTER; BRR9000M	SA
36-1	110647	SCREW-TAPPING; TH,+,1,M4,L12,ZPC(WHT),SWR	SA
36-2	110806	CLIP-FITTING LOCK; AW,POM	SA

DRZ18980RAP

**Cabinet Parts List**

36-3		FITTING TUBE; AW4,POM,1/4,1/4"-1/4"	SNA
------	--	-------------------------------------	-----



## Cabinet Parts List

No.	Dacor Part #	Description	SNA
36-4	110938	VALVE WATER; AC110-127V,350,1WAY,L-Wire,1	SA
36-5	110934	VALVE WATER; AC110~127V,230,1WAY,L-Wire,1	SC
37	111457	ASSY REINF-UP RIGHT; BRR9000M,ZPC3	SA
37-1	110678	BOLT-ETC; M6,L20,ZPC(WHT),SWRCH18A,FH	SA
38	111459	ASSY REINF-LOW RIGHT; BRR9000M,ZPC3	SA
38-1	110678	BOLT-ETC; M6,L20,ZPC(WHT),SWRCH18A,FH	SA
39	111683	ASSY COVER HINGE-UP RIGHT; BRR9000M,Colum	SA
39-1	110660	SCREW-TAPPING; FH,+,1,M4,L18,ZPC(WHT),SWR	SA
39-2	111041	COVER HINGE-UP RIGHT; BRR9000M,PC,5V-B,EB	SA
39-3		COVER HINGE-RIGHT; BRR9000M,ABS,HB,INOX G	SNA
39-4	111274	ASSY WIRE HARNESS-ETC; 1-DOOR,FREE VOLT,U	SA
39-5	111042	COVER FRONT; BRR9000M,ABS,HB,INOX GRAY,AB	SA
40		ASSY CASE PBA-MAIN; BRR9000M,COLUMN18"FRE	SNA
40-1	110639	CBF-POWER CORD; AT,USA,US3F-1,3C,125V,15A	SA
40-2	110683	COIL FILTER; 22mH,82*60,AC 8A,0.47uF / 0.	SA
40-3	111197	ASSY PCB INVERTER; INVERTER,LC3_3050_V2,1	SA
40-4	111198	ASSY MODULE; STD#9 SMPS,RF9500(Family Hub	SA
40-5	111199	ASSY MODULE; BUZZER PBA,RB6000K	SA
40-6	111204	ASSY MODULE; PBA-FUSE BLOCK,BRZ9000M,30*5	SA
40-7	111258	ASSY WIRE HARNESS-ETC; 1-DOOR,FREE VOLT,U	SA
40-8	111669	ASSY CASE PBA; BRR9000M,COLUMN18"REF,SUB	SA
40-8-1	110904	PLATE COVER; Al,T0.15,FDR	SA
40-8-2		CASE PBA; BRR9000M,PC,EBONY BLACK,5V-B,HN	SNA
40-9	110640	W-LAN MODULE; DWMSMQ96L01S,IEEE802.11,2,4	SA
40-10	111205	ASSY PCB SUB; Network,WiFi,LTE,WideCamera	SA
40-11	110647	SCREW-TAPPING; TH,+,1,M4,L12,ZPC(WHT),SWR	SA
41	110798	MAGNET; SVETA,FERRITE,1600Gauss	SA

## Cabinet Parts List

No.	Dacor Part #	Description	SNA
42	111213	ASSY PCB EEPROM; 0X28,D601,D602,D603,D606	SA
43	111614	ASSY COVER PBA; BRR9000M,COLUMN18"REF	SA
43-1		PLATE COVER; BRR9000M,GI-SGCC,T0.5,COLUMN	SNA
43-2		COVER PBA; BRR9000M,PC,5V-B,EBONY BLACK,5	SNA
43-3	110710	SENSOR HUMIDITY; 5V,0~100%RH,REF,250mm	SA
43-4	110647	SCREW-TAPPING; TH,+,1,M4,L12,ZPC(WHT),SWR	SA
43-5	110911	CASE SENSOR; BRR9000M,ABS,EBONY BLACK	SA
44	111619	ASSY COVER-FRONT; BRR9000M,COLUMN18"FRE	SA
44-1	110716	SWITCH REED; UL1007 AWG 22,100mm,DEM1-B50	SA
44-2	111051	COVER FRONT; BRR9000M,PC,5V-B,EBONY BLACK	SA
45	110909	BRACKET-LOCK; GI-SGCC,T2	SA
46	111169	PIPE CONNECT-DISC; RF8000MC,Cu,OD6.35,T0.	SA
47	111152	CAP HINGE-UP RIGHT; BRR9000M,ABS,T1.2,HG-	SA
48	111501	ASSY TOP TABLE-FRONT; BRR9000M,18-IN	SA
48-1	110711	SENSOR PHOTO; -20~705V,illumination	SA
48-2	111033	COVER TOP TABLE; BRR9000M,ABS,HB,INOX GRA	SA
48-3		TOP TABLE-FRONT; BRR9000M,ABS,INOX GRAY,H	SNA

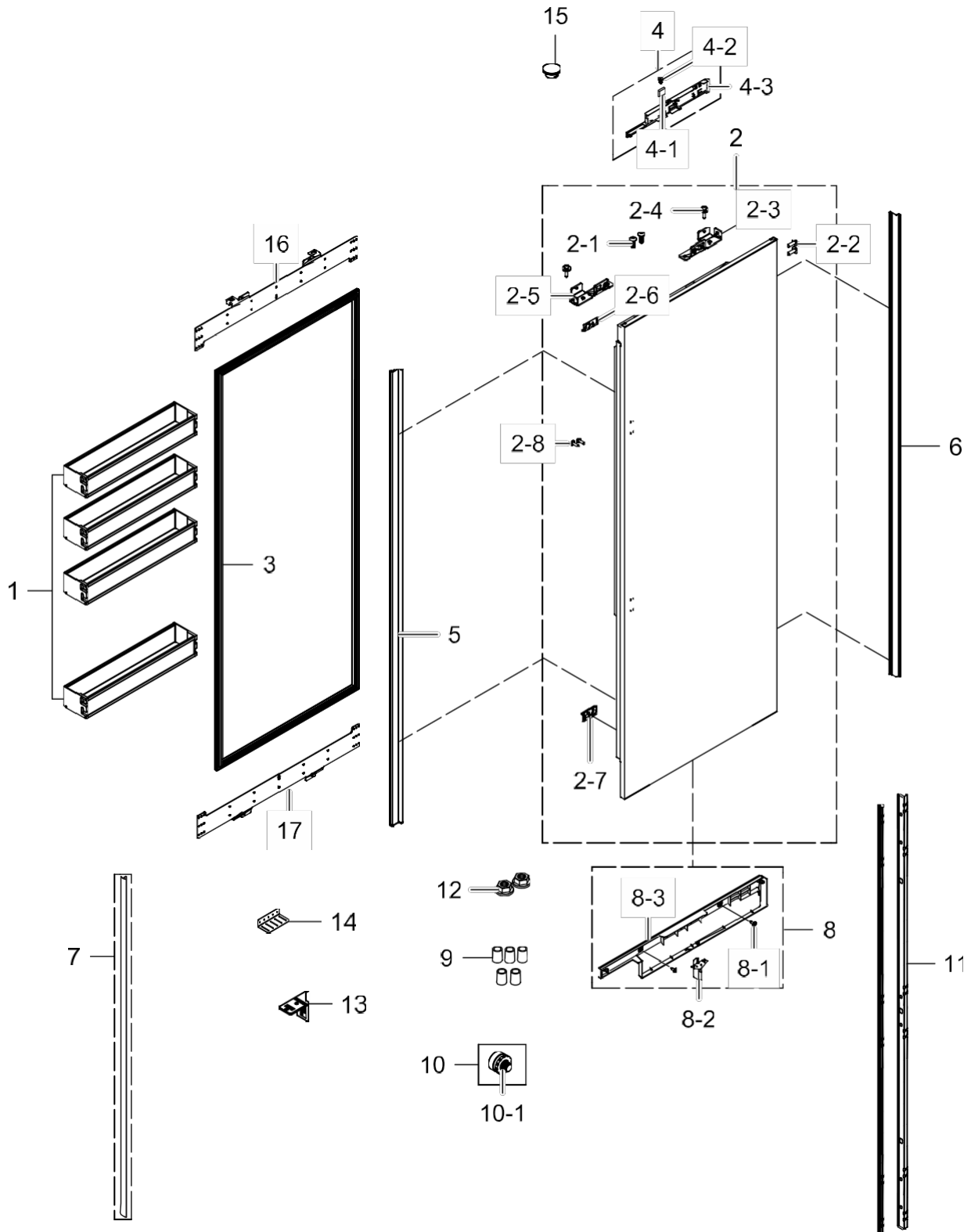
## Door Panels, Handles and Toe Kick

Type	SVC Part	Dacor P/N	Finish
18" Column	Custom Panel-Right Hinge	114157	Graphite
	Modern Handle	114133	Graphite
	Toe Kick Plate	114158	Graphite
	Custom Panel-Right Hinge	114160	Stainless
	Modern Handle	114140	Stainless
	Pro Handle	114141	Stainless
	Toe Kick Plate	114161	Stainless
	Pair Installation Kit	RAC00CPAAAA	Stainless

\*\*\*Note: Only one "Pair installation kit" is needed to install two columns together.

### 3. Door

#### Exploded View



## Door Parts List

No.	Dacor Part #	Description	SNA
1	111573	ASSY GUARD-FRE; BRR9000M,Column,18"	SA
2	111190	ASSY DOOR FOAM-FRE; BRR9000M,18",RIGHT-HI	SA
2-1	110658	SCREW-TAPPING; TH,+,-,2,M5,L16,ZPC(WHT),S	SA
2-2	110666	SCREW-TAPPING; TH,+,-,2S,M4,L12,ZPC(WHT),	SA
2-3	110845	BRACKET-UP; BRR9000M,PO-SPHC,T2.3,RIGHT	SA
2-4	110847	FIXER-UP FRONT; BRR9000M,SWRCH10A,M6	SA
2-5	110848	BRACKET-UP; BRR9000M,PO-SPHC,T2.3,LEFT	SA
2-6	110868	BRACKET HINGE-REF UP; BRR9000M,PO-SPHC,T2	SA
2-7	110870	BRACKET HINGE-REF LOW; BRR9000M,PO-SPHC,T	SA
2-8	110648	SCREW-TAPPING; TH,+NO,1,M4,L16,ZPC(WHT),	SA
3	111415	ASSY GASKET; BRR9000M,18COLUMN, DARK GRAY	SA
4	111452	ASSY CAP DOOR-UP RIGHT; BRR9000M,ABS,18"	SA
4-1	110798	MAGNET; SVETA,FERRITE,1600Gauss	SA
4-2	111133	CAP-SHAFT HOLE; AW3,ABS,HG-0760GP,COOL WH	SA
4-3		CAP DOOR-UP; BRR9000M,ABS,HB,HG-0760GP,IN	SNA
5	111086	TRIM DOOR-LEFT; BRR9000M,ABS,XM-0900,VF S	SA
6	111087	TRIM DOOR-RIGHT; BRR9000M,ABS,XM-0900,VF	SA
7	111667	ASSY TRIM KIT; BRR9000M,18"Column	SA
8	111634	ASSY CAP DOOR-LOW RIGHT; BRR9000M,ABS,18'	SA
8-1	110647	SCREW-TAPPING; TH,+1,M4,L12,ZPC(WHT),SWR	SA
8-2	110862	GUIDE AIR-A; BRR9000M,ABS,HB,INOX GRAY	SA
8-3		CAP DOOR-LOW; BRR9000M,ABS,HB,HG-0760GP,I	SNA
9	110906	FIXER; BRR9000M,ABS,NATURAL,HG-0760GP	SA
10	111685	ASSY DOOR; BRR9000M	SA
10-1	111353	ASSY FIXER-MOVABLE; HAEMIL,CREAMY STS,MAT	SA
11	110846	BRACKET-MIDDLE; BRR9000M,CR-SPCC,T1.2,COL	SA

**Door Parts List**

<b>No.</b>	<b>Dacor Part #</b>	<b>Description</b>	<b>SNA</b>
12	110680	NUT-HEXAGON FLANGE; M8,SWRCH10A,FLANGE, M	SA
13	110889	GUIDE PANEL; BRR9000M,HIPS,S834S1,COOL WH	SA
14	110903	SUPPORT-REF; BRR9000M,GI-SGCC,T3,Anti Tip	SA
15	111129	CAP SCREW; BRR9000M,ABS,HB,HG- 0760GP,INOX	SA
16	110898	BRACKET-WOOD; BRF8000M,PO-SPHC,T2.3,FDR 3	SA
17	110900	BRACKET-WOOD; BRF8000M,PO-SPHC,T2.3,FDR 3	SA